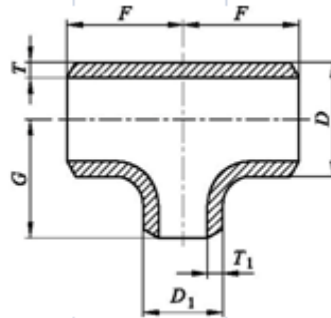




Dimensions of Reducing Tee in EN 10253-2



| Side D |       | Side D <sub>1</sub> |                         |     |     |
|--------|-------|---------------------|-------------------------|-----|-----|
| DN     | D     | DN <sub>1</sub>     | D <sub>1</sub>          | F   | G   |
| 20     | 26,9  | 15                  | 21,3                    | 29  | 29  |
| 25     | 33,7  | 15                  | 21,3                    | 38  | 38  |
|        |       | 20                  | 26,9                    |     |     |
| 32     | 42,4  | 15                  | 21,3                    | 48  | 48  |
|        |       | 20                  | 26,9                    |     |     |
|        |       | 25                  | 33,7                    |     |     |
| 40     | 48,3  | 15                  | 21,3                    | 57  | 57  |
|        |       | 20                  | 26,9                    |     |     |
|        |       | 25                  | 33,7                    |     |     |
|        |       | 32                  | 42,4                    |     |     |
| 50     | 60,3  | 20                  | 26,9                    | 64  | 44  |
|        |       | 25                  | 33,7                    |     | 51  |
|        |       | 32                  | 42,4                    |     | 57  |
|        |       | 40                  | 48,3                    |     | 60  |
| 65     | 76,1  | 25                  | 33,7                    | 76  | 57  |
|        |       | 32                  | 42,4                    |     | 64  |
|        |       | 40                  | 48,3                    |     | 67  |
|        |       | 50                  | 60,3                    |     | 70  |
| 80     | 88,9  | 32                  | 42,4                    | 86  | 70  |
|        |       | 40                  | 48,4                    |     | 73  |
|        |       | 50                  | 60,3                    |     | 76  |
|        |       | 65                  | 76,1                    |     | 83  |
| 100    | 114,3 | 40                  | 48,3                    | 105 | 86  |
|        |       | 50                  | 60,3                    |     | 89  |
|        |       | 65                  | 76,1                    |     | 95  |
|        |       | 80                  | 88,9                    |     | 98  |
| 125    | 139,7 | 50                  | 60,3 76,1<br>88,9 114,3 | 124 | 105 |
|        |       | 65                  |                         |     | 108 |
|        |       | 80                  |                         |     | 111 |
|        |       | 100                 |                         |     | 117 |



|     |       |     |             |     |     |
|-----|-------|-----|-------------|-----|-----|
| 150 | 168,3 | 65  | 76,1        | 143 | 121 |
|     |       | 80  | 88,9        |     | 124 |
|     |       | 100 | 114,3       |     | 130 |
|     |       | 125 | 139,7       |     | 137 |
| 200 | 219,1 | 100 | 114,3       | 178 | 156 |
|     |       | 125 | 139,7 168,3 |     | 162 |
|     |       | 150 |             |     | 168 |
| 250 | 273,1 | 100 | 114,3       | 216 | 184 |
|     |       | 125 | 139,7       |     | 191 |
|     |       | 150 | 168,3       |     | 194 |
|     |       | 200 | 219,1       |     | 203 |
| 300 | 323,9 | 150 | 168,3       | 254 | 219 |
|     |       | 200 | 219,1       |     | 229 |
|     |       | 250 | 273         |     | 241 |
| 350 | 355,6 | 150 | 168,3       | 279 | 238 |
|     |       | 200 | 219,1       |     | 248 |
|     |       | 250 | 273         |     | 257 |
|     |       | 300 | 323,9       |     | 270 |
| 400 | 406,4 | 150 | 168,3       | 305 | 264 |
|     |       | 200 | 219,1       |     | 273 |
|     |       | 250 | 273         |     | 283 |
|     |       | 300 | 323,9       |     | 295 |
|     |       | 350 | 355,6       |     | 305 |
| 450 | 457   | 200 | 219,1       | 343 | 298 |
|     |       | 250 | 273         |     | 308 |
|     |       | 300 | 323,9       |     | 321 |
|     |       | 350 | 355,6       |     | 330 |
|     |       | 400 | 406,4       |     | 330 |
| 500 | 508   | 250 | 273         | 381 | 333 |
|     |       | 300 | 323,9       |     | 346 |
|     |       | 400 | 406,4       |     | 356 |
|     |       | 450 | 457,0       |     | 368 |
| 550 | 559   | 250 | 273         | 419 | 359 |
|     |       | 300 | 323,9       |     | 371 |
|     |       | 400 | 406,4       |     | 381 |
|     |       | 500 | 508,0       |     | 406 |
| 600 | 610   | 250 | 273         | 432 | 384 |
|     |       | 300 | 323,9       |     | 397 |
|     |       | 400 | 406,4       |     | 406 |
|     |       | 500 | 508,0       |     | 432 |
| 650 | 660   | 300 | 323,9       | 495 | 422 |
|     |       | 350 | 355,6       |     | 432 |
|     |       | 400 | 406,4       |     | 432 |
|     |       | 500 | 508         |     | 457 |



|       |       |       |         |     |     |
|-------|-------|-------|---------|-----|-----|
| 700   | 711   | 300   | 323,9   | 521 | 448 |
|       |       | 400   | 406,4   |     | 457 |
|       |       | 500   | 508,0   |     | 483 |
|       |       | 600   | 610,0   |     | 508 |
| 750   | 762   | 400   | 406,4   | 559 | 483 |
|       |       | 500   | 508,0   |     | 508 |
|       |       | 600   | 610,0   |     | 533 |
| 800   | 813   | 400   | 406,4   | 602 | 508 |
|       |       | 500   | 508,0   |     | 533 |
|       |       | 600   | 610,0   |     | 559 |
|       |       | 700   | 711,0   |     | 572 |
| 850   | 864   | 400   | 406,4   | 635 | 533 |
|       |       | 500   | 508,0   |     | 559 |
|       |       | 600   | 610,0   |     | 584 |
|       |       | 700   | 711,0   |     | 597 |
| 900   | 914   | 400   | 406,4   | 673 | 559 |
|       |       | 500   | 508,0   |     | 584 |
|       |       | 600   | 610,0   |     | 610 |
|       |       | 700   | 711,0   |     | 622 |
|       |       | 800   | 813,0   |     | 648 |
| 1 000 | 1 016 | 600   | 610,0   | 749 | 660 |
|       |       | 700   | 711,0   |     | 673 |
|       |       | 800   | 813,0   |     | 711 |
|       |       | 900   | 914,0   |     | 737 |
| 1 050 | 1 067 | 600   | 610,0   | 762 | 660 |
|       |       | 700   | 711,0   |     | 698 |
|       |       | 800   | 813,0   |     | 711 |
|       |       | 900   | 914,0   |     | 711 |
| 1 100 | 1 118 | 600   | 610,0   | 813 | 698 |
|       |       | 700   | 711,0   |     | 698 |
|       |       | 800   | 813,0   |     | 711 |
|       |       | 900   | 914     |     | 724 |
| 1 200 | 1 219 | 700   | 711,0   | 889 | 762 |
|       |       | 800   | 813,0   |     | 787 |
|       |       | 900   | 914,0   |     | 787 |
|       |       | 1 000 | 1 016,0 |     | 813 |